



PT Range Operators Handbook

PT Models

Covering Models :

PT90 / PTS20

Bambi Air Limited

152 Thimble Mill Lane

Heartlands

Birmingham

B7 5HT

Tel: 0121 322 2299

Fax: 0121 322 2297

Email: sales@bambi-air.co.uk

www.bambi-air.co.uk

Operating Manual

Your Bambi Air Compressor is a precision engineered product.

By following the simple steps inside this handbook, you will ensure years of trouble free use.

Parts & Service are available from your Bambi dealer.

It is important to quote Model, Type & Serial Number in all communications.

The substitution of parts not manufactured nor approved by Bambi can impair performance, service life & create potential mechanical or personal hazards and invalidate your warranty.

Bambi reserves the right to modify the contents of this operating booklet without notice and the information is in no way binding on the company.



Warranty

Provided the operating instructions have been followed, and the compressor has been properly maintained, Bambi PT and PTS compressors are guaranteed against faulty workmanship for a period of 1 years.

The air receiver is guaranteed for 5 years.

These guarantees do not cover damage by misuse, incorrect parts or service.

Contact Bambi Air Limited or your retailer for further information.

1) Safety Precautions

What you **must** do:

- Read these instructions before using your air compressor.
- Ensure the compressor has been installed, electrically connected and piped in by a properly qualified person.
- Ensure the compressor is kept upright at all times.

What you **must not** do:

- Do not attempt any maintenance on the compressor until it has been isolated from the power supply.
- Do not attempt any work on the compressor until the air receiver and pipe work systems are depressurised.
- Compressed air is dangerous if misused and can prove fatal. Avoid any bodily contact with compressed air.
- During operation the motor will become quite hot to the touch. Avoid contact to prevent burns.
- Never tamper with the pressure relief valve.
- Never lubricate the oil free motor or pump assembly; this will cause severe damage.
- Never obstruct cooling fans or outlet vents.

2) Siting The Compressor

What you must do:

- Provide adequate protection from the weather.
- Site the compressor level in both planes.
- Allow access for maintenance all around the compressor.
- Site in a dry area, avoiding damp or humid conditions. The site must be dust free, well ventilated and have a cool ambient temperature. 0 to 40°C should be regarded as the minimum and maximum allowable ambient.
- Ensure there is a minimum of 30cm clearance around the compressor

What you must not do:

- Enclose the compressor or allow hot air generated by the motor to recirculate around the compressor.
- Restrict air flow around the end cover ventilation grilles otherwise serious damage may occur.

Electrical Connections

Where applicable, compressors are supplied with a moulded plug in accordance with national standards.

Never remove the moulded plug.

The use of extension cables is not recommended as this may cause voltage drops which can result in damage to the motor.

220v/50Hz models wired in accordance

with European Standard -

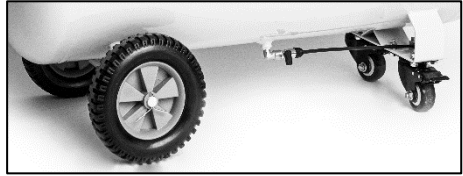
Blue = Neutral

Brown = Live

Yellow/Green Stripe = Earth

Wheel Kit [PT90]

Your compressor comes complete with a wheel kit. Firstly, fit both casters using the supplied fixings with a 14mm spanner. Lock both caster wheels in place with the foot pedal before lifting the compressor to fit the wheels. Place a washer on the axle then fit the wheel, holding it in place with the split pin.



Wheel Kit [PT90]

Operation

Starting & Stopping

Plug the compressor into an outlet socket of nominal voltage.

All models:

As air is used the pressure drops and the motor will restart at the pre-set pressure. There is approximately a 2 Bar differential.

PT90 – Turn the compressor on and off by turning the switch (I/O) on the top of the pressure switch.

PTS20 - Press the green on off (I/O) switch on the front panel of the machine.

The PTS20 is fitted with a 4 amp overload protection. The reset button for the overload protection is located above the on off switch on the front of the compressor

Note!

Each time the compressor switches off, you will hear a short hiss of air. You are hearing the unloader valve discharging the residual delivery pipe pressure. This is normal.

NEVER unplug the compressor when running. Always switch off using the red control on the pressure switch to ensure the compressor discharges.

Failure to do so will cause damage and will invalidate your warranty.

Adjusting Outlet Pressure

Use the pressure regulator to adjust the outlet pressure.

To increase line pressure, rotate the knob in a clockwise direction; to decrease turn anti clockwise. It is possible to lock the setting by pushing the knob down until it “clicks”.



Filter/Regulator [PT90]

There are two pressure gauges on each model.

The larger gauge indicates the air receiver pressure, the smaller gauge indicates the air outlet pressure.

Routine Maintenance

Refer to preventative maintenance section for frequency. [Page 5]

Draining the Air Receiver

Drain water condensate from air receiver at a pressure of no more than 2 Bar. Slowly open the drain tap provided to allow water to flow out. Fully close drain tap when all water condensate has drained off.

Draining the Filter/Regulator Unit (PT90)

Drain water condensate from the filter regulator at a pressure of no more than 2 Bar. Push the drain pin at the bottom of the filter regulator to allow water to flow out.

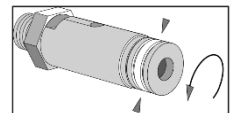
Note !

Water Condensate must be handled in accordance with national environmental rules

Check Pressure Relief Valve

Ensure the air receiver is not pressurised.

Unscrew the knurled end of the pressure relief valve until an audible click is heard. Retighten without using excessive force.



Pressure Relief Valve

Preventative Maintenance and Servicing

Operation	Daily	Annually	2 Years
Drain Air Receiver	•		
Replace Air Intake Filter		•	
Check Pressure Relief Activation		•	
Clean Ventilation Grilles		•	
Check Piston Ring			•

Above are to be considered minimum frequency

Part number BPPT1 (service kit for PT pump) covers all models

The PT90 requires three service kits while the PTS20 requires one kit

Technical

PT Pump Specification	
Motor - kW / Hp	0.75 / 1.0
Voltage	220/240
Frequency - Hz	50
RPM	1450
Displacement – L/Min	128

We recommend the compressor has a maximum 65% duty cycle to prolong pump life

Note !

The motor must never be allowed to run continuously, otherwise it will overheat and may become damaged. The duty cycle is calculated over 10 minutes, meaning that if the motor runs for 6.5 minutes it must rest for 3.5 minutes before its next use.

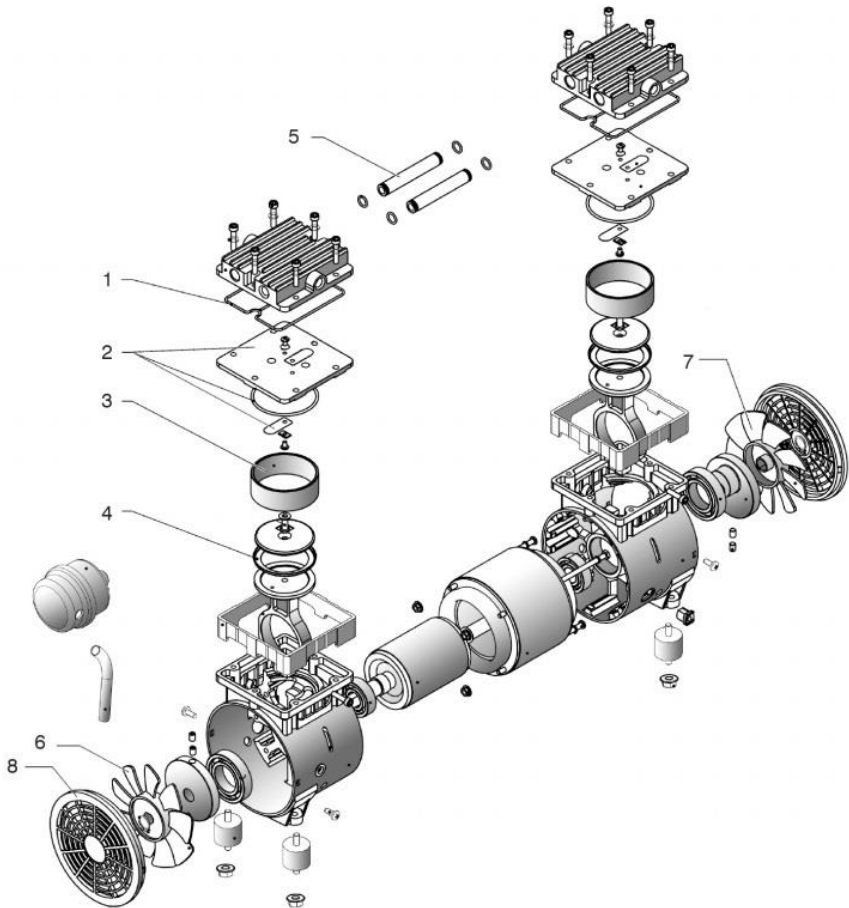
Do not ignore air leaks. All air connections must be leak free to prevent the compressor from overheating.

The compressor is fitted with a thermal overload. In the event of excessive temperature, the motor will switch off. After about 50 minutes when the motor has cooled it will automatically reset.

You **must** find the cause of the overload and rectify it before continuing to use the compressor. Damage by continuing to use the unit is not covered under warranty.

PT Pump Spares

Ref No.	Description	Part No.
1	Cylinder head seal	BPB1250
2	Valve plate assembly	BPB1251
3	Cylinder	BPB1253
4	Piston ring	BPB1254
5	Airway tube, inc. O ring seal	BPB1252
6	Motor fan LH	BPB1255
7	Motor fan RH	BPB1264
8	Fan cover	BPB1256



BAMBI AIR LIMITED

152 Thimble Mill Lane, Heartlands, Birmingham, West Midlands, B7 5HT
Tel 0121 322 2299, Fax 0121 322 2297, e-mail: sales@bambi-air.co.uk



**EC Declaration of Conformity - Declaration de Conformite CE –
EG Konformitatserklärung
Declaracion de Conformidad CE - EG Verklaring van Overeenstemming**

Bambi Air Limited declares that this product conforms to the European Directives listed below.

Bambi Air Limited declare que ce produit est conforme aux directives europeennes enumerees ci-dessous.

Bambi Air Limited declara que este producto cumple con la Directiva Europea listada abajo.

Bambi Air Limited verklaart dat dit product voldoet aan de onderstaande Europese Richtlijnen

Bambi Air Limited erklart hiermit, dass dieses Produkt mit den Bestimmungen der Nachstehenden EU-Richtlinien ubereinstimmt.

Machinery Safety Standard 2006/42/ EC, Machinery Directive 2014/68/EU,
Electromagnetic Compatibility 2014/30/ EU
Simple Pressure Vessels 2014/29/EU/105/EC
EN60034, EN60204-1:2007, EN ISO12100-1-2:2005, EN ISO13857:2010
CE Marking applied for the first time in 1997

IF NO SERIAL NUMBER
HERE THEN HANDBOOK
ISSUED AS REPLACEMENT
OR WITH SERVICE KIT

A handwritten signature in black ink, appearing to read 'L Clutterbuck'.

L Clutterbuck
Director